

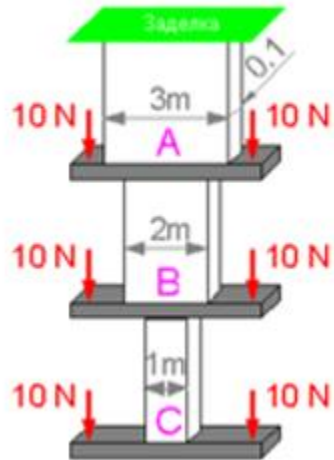
## Material resistance, Strength of materials

(სატრანსპორტო).

(დასკვნითი გამოცდის ნიმუში)

### Question 1

In which part of the rod is the tensile stress maximum?

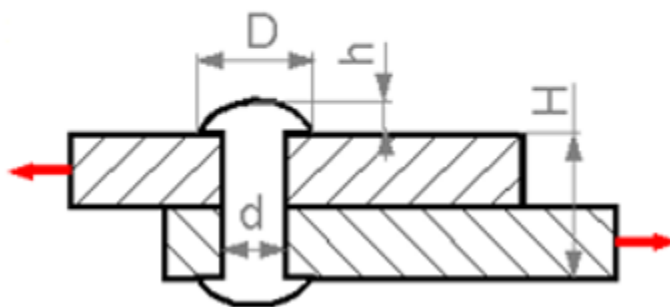


Select one:

- a. C
- b. The same for all sites
- c. A
- d. D
- e. B

### Question 2

Increasing of which parameter can cause an increase of the limiting load?



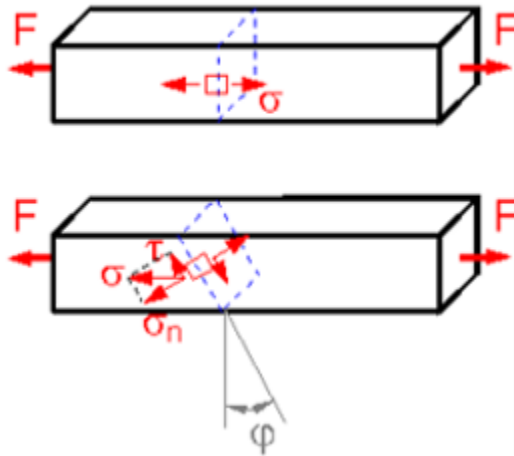
Select one:

- a. Diameter  $d$

- b. height H
- c. Height h
- d. Diameter D

**Question 3**

For which angle of inclination of the plane  $\varphi$ , does the shearing stress  $\tau$  be maximal?

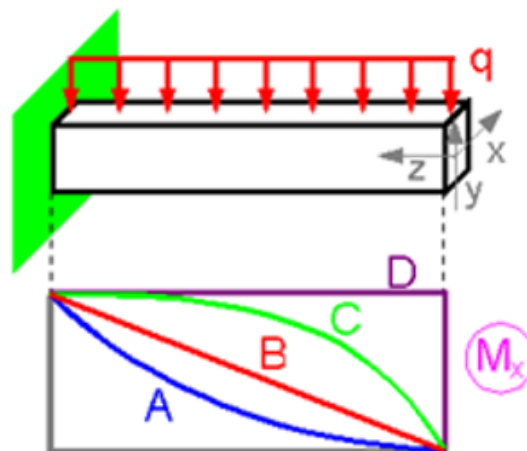


Select one:

- a.  $45^\circ$
- b.  $30^\circ$
- c.  $60^\circ$
- d.  $0^\circ$
- e.  $90^\circ$

**Question 4**

Which relationship accurately expresses the graph of the bending moments for this loading scheme?

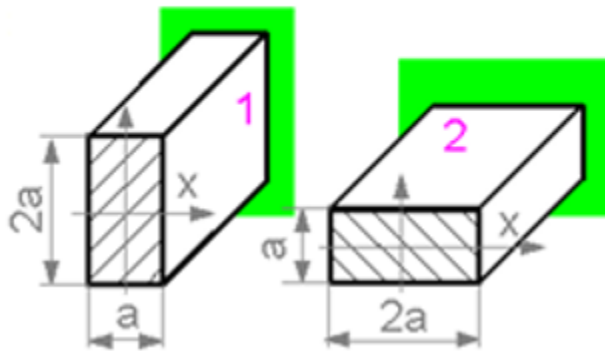


Select one:

- a. C
- b. B
- c. D
- d. A

### Question 5

How many times to decrease the moment of inertia,  $I_x$ , if the beam turns by  $90^\circ$  degree

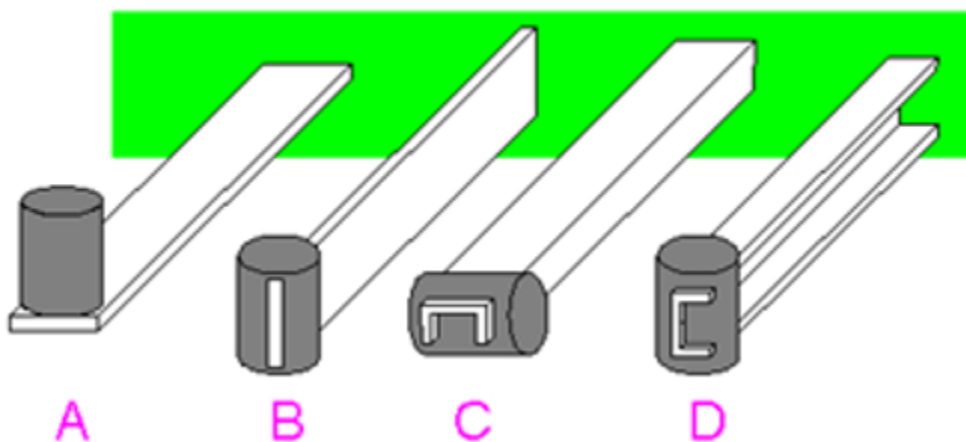


Select one:

- a. four times
- b. Eight times
- c. Does not change
- d. Twice

### Question 6

Choose the best design?



Select one:

- a. A
- b. C
- c. D
- d. B