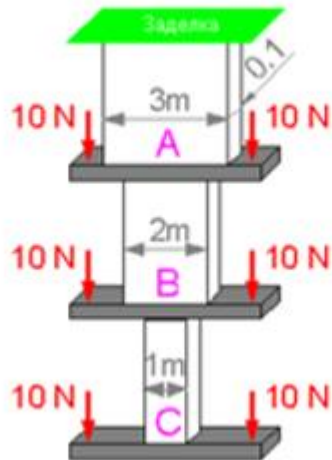


Material resistance

(მასალათა გამძლეობა.ინგლისური)(სატრანსპორტო).
I სემესტრი.2018-2019 წელი
(ფინალური გამოცდის ნიმუში)

Question 1

In which part of the rod is the tensile stress maximum?

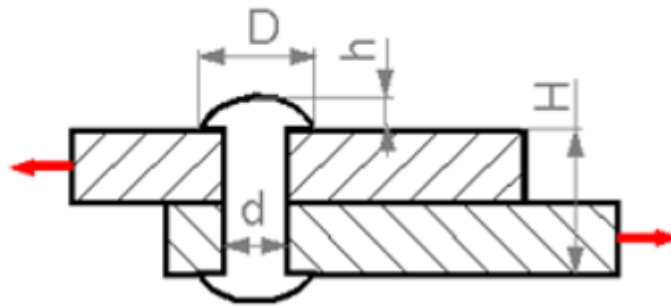


Select one:

- a. C
- b. A
- c. B
- d. D
- e. The same for all sites

Question 2

Increasing of which parameter can cause an increase of the limiting load?



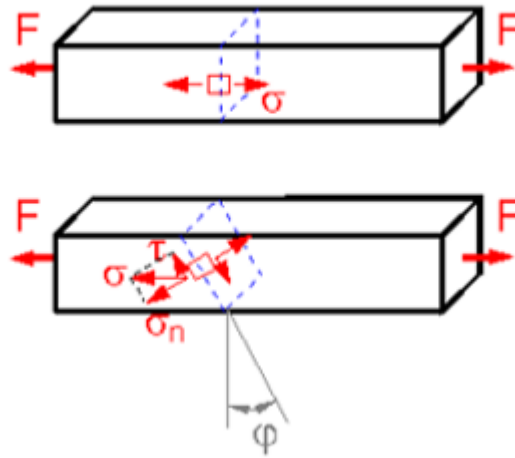
Select one:

- a. Diameter d

- b. Height h
- c. Diameter D
- d. height H

Question 3

For which angle of inclination of the plane φ , does the shearing stress τ be maximal?

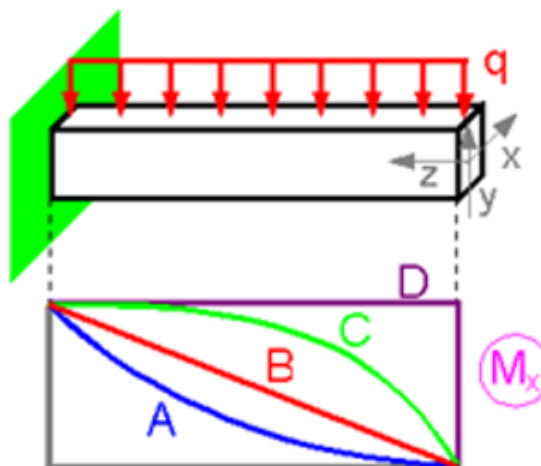


Select one:

- a. 30°
- b. 60°
- c. 0°
- d. 90°
- e. 45°

Question 4

Which relationship accurately expresses the graph of the bending moments for this loading scheme?

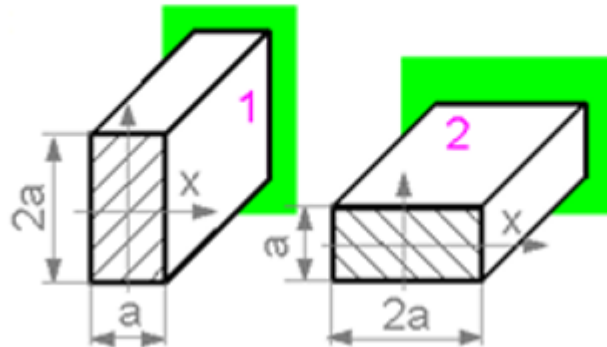


Select one:

- a. B
- b. A
- c. C
- d. D

Question 5

How many times to decrease the moment of inertia, I_x , if the beam turns by 90° degree

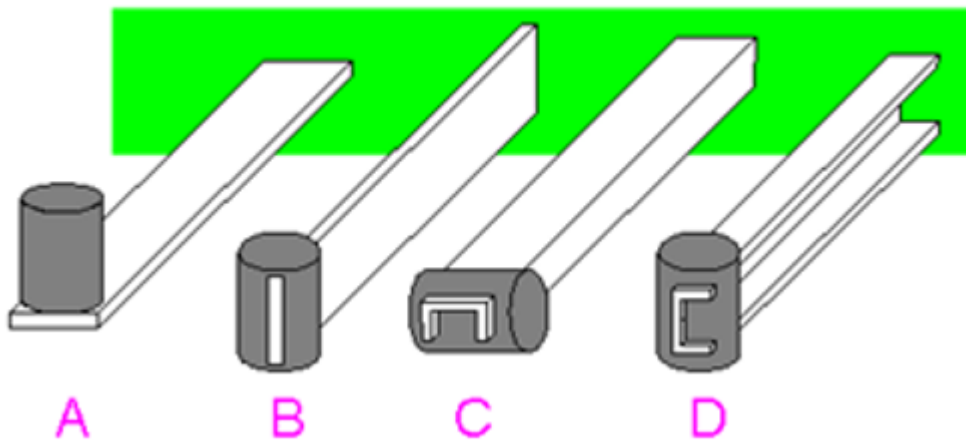


Select one:

- a. Eight times
- b. Twice
- c. four times
- d. Does not change

Question 6

Choose the best design?



Select one:

- a. A



b. D



c. C



d. B